

Completely pre-assembled Signal Towers / RST 56 RST56 GN/YE/RD 24V



| | |
|------------------|-------------------|
| Part No.: | 686.370.05 |
| Series: | RST 56 |



MECHANICAL DATA

| | |
|------------------------------|-----------------------------|
| Height | 196 mm |
| Diameter | 57 mm |
| Materials | ABS PC PC/ABS |
| Dome colour | White |
| Housing colour | Black |
| Protection category | IP66 IP69K |
| Connection | Spring-type terminal |
| cross-sectional area minimum | 0,14mm ² / 26AWG |
| cross-sectional area maximum | 1,50mm ² / 16AWG |
| Cable entry | Through hole |
| Cable entry maximum | d = 9 mm |
| Type of fixing | Base mounting |
| Working temperature minimum | -30°C |
| Working temperature maximum | +50°C |
| Weight with packaging | 268 g |
| Product weight | 232 g |
| Stipping length | 7 mm |

ELECTRICAL DATA

| | |
|-----------------------------|--------------------|
| Operating voltage | 24V |
| Operating voltage type | DC |
| Operating voltage tolerance | +/- 10% |
| Rated operational voltage | 24 VDC |
| Protection class | Protection class 3 |
| Pollution degree | 3 |

OPTICAL DATA

| | |
|----------------------|------------------------|
| Light source | LED |
| Light colour | Green Red Yellow |
| Optical signal image | Permanent |
| Service life optical | 50,000 h maximum |

APPROVAL DATA

| | |
|------------------------------|-----|
| Conforms with CE | Yes |
| Conforms with RoHS directive | Yes |



For additional installation and mounting information, refer to the appropriate user guide at www.werma.com. This printed copy is for information only and is subject to alteration.

Completely pre-assembled Signal Towers / RST 56 **RST56 GN/YE/RD 24V**

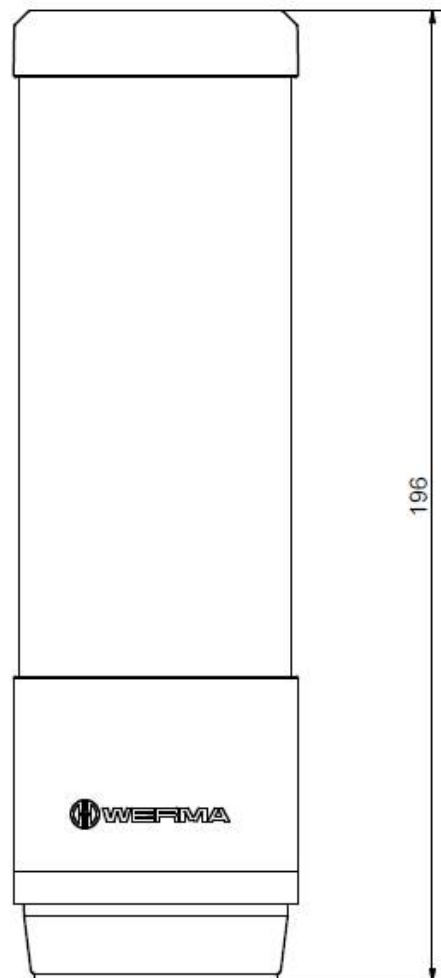
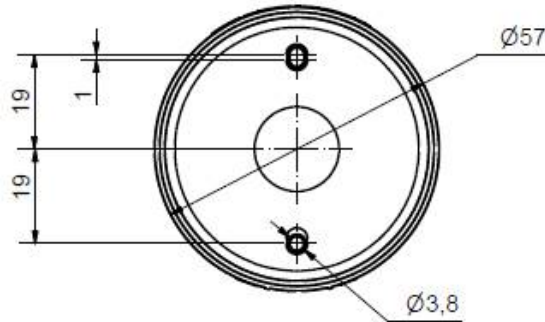
| | |
|-------------------------------|-----------------------|
| WEEE | Yes |
| Conforms with ATEX-directive | No |
| Conforms with CCC-Ex | No |
| Conforms with CCC | No |
| Conforms with UL | No |
| Conforms with FCC | No |
| Conforms with IC | No |
| EAC certificate available | No |
| Conforms with UKCA (Importer) | Yes (WERMA (UK) Ltd.) |
| Conforms with CMIM | No |
| Conforms with AS-I | No |
| Conforms with DNV | No |
| Conforms with RoHS CN | 25 years |
| Conforms with VdS | No |



For additional installation and mounting information, refer to the appropriate user guide at www.werma.com. This printed copy is for information only and is subject to alteration.

Completely pre-assembled Signal Towers / RST 56
RST56 GN/YE/RD 24V

DRAWING



For additional installation and mounting information, refer to the appropriate user guide at www.werma.com. This printed copy is for information only and is subject to alteration.